

GHH Stainless Steel Recessed Handle

Features

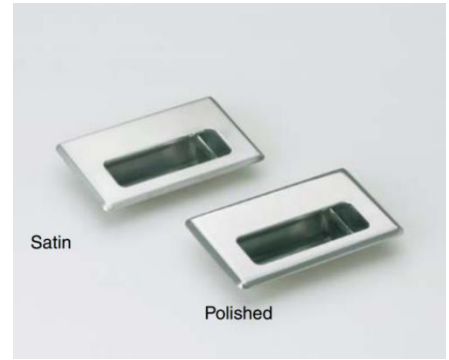
- Simple design
- Satin and polished finishes available
- **GHH-FB-1**, **GHH-FC-1**, **GHH-FB-1M** and **GHH-FC-1M** are compliant with SEMI standard (SEMI S8-0308)

Material

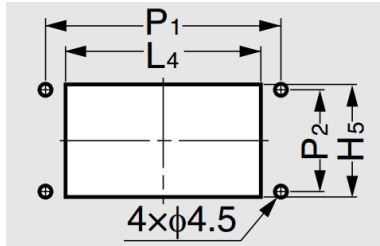
- Stainless steel 304, satin or polished finish

Parts Included

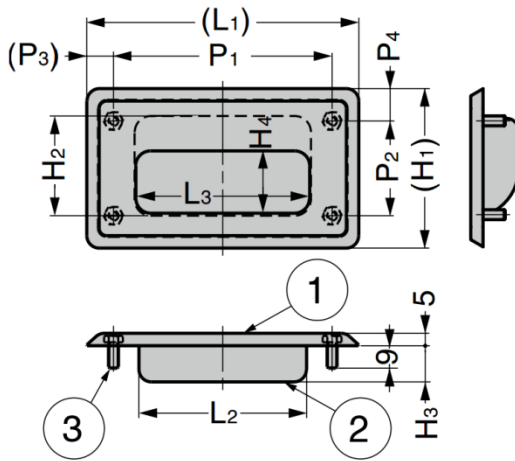
- Only for M4 bolt type: Hexagon nut M4 (SUS), washer 4, spring washer 4



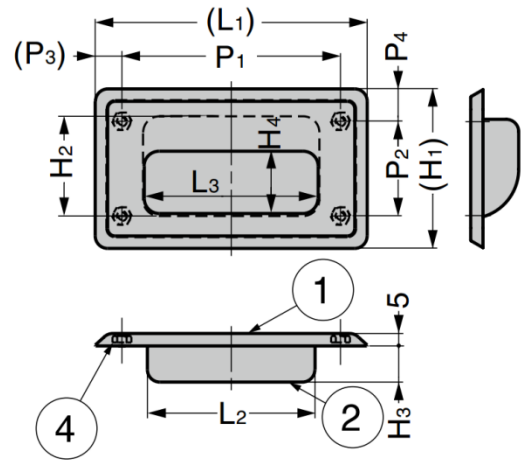
Cut Out Dimensions



No.	Part Name	Material	Finish
①	Front Plate	Stainless Steel (SUS304)	Satin, Polished
②	Back Cover		Barrel Polished
③	Hexagon Head Bolt M4 x 10		Plain
④	Hexagon Nut M4		



GHH-FB, GHH-FBM



GHH-FC, GHH-FCM

Part No.	Finish	Bolt / Nut	L ₁	L ₂	L ₃	L ₄	H ₁	H ₂	H ₃	H ₄	H ₅	P ₁	P ₂	P ₃	P ₄
GHH-FB-1	Satin	M4 Bolt	138	96	95	99	88	62	21	35	64	110	65	14	11.5
GHH-FC-1		M4 Nut													
GHH-FB-2		M4 Bolt	109.5	71	70	73	64	40	14.5	25	42	88	38	10.75	13
GHH-FC-2															
GHH-FB-3		M4 Bolt	94	61	60	63	60	43	12	45	76	32	9	14	
GHH-FC-3															M4 Nut
GHH-FB-1M	Polished	M4 Bolt	138	96	95	99	88	62	21	35	64	110	65	14	11.5
GHH-FC-1M		M4 Nut													
GHH-FB-2M		M4 Bolt	109.5	71	70	73	64	40	14.5	25	42	88	38	10.75	13
GHH-FC-2M															
GHH-FB-3M		M4 Bolt	94	61	60	63	60	43	12	45	76	32	9	14	
GHH-FC-3M															M4 Nut